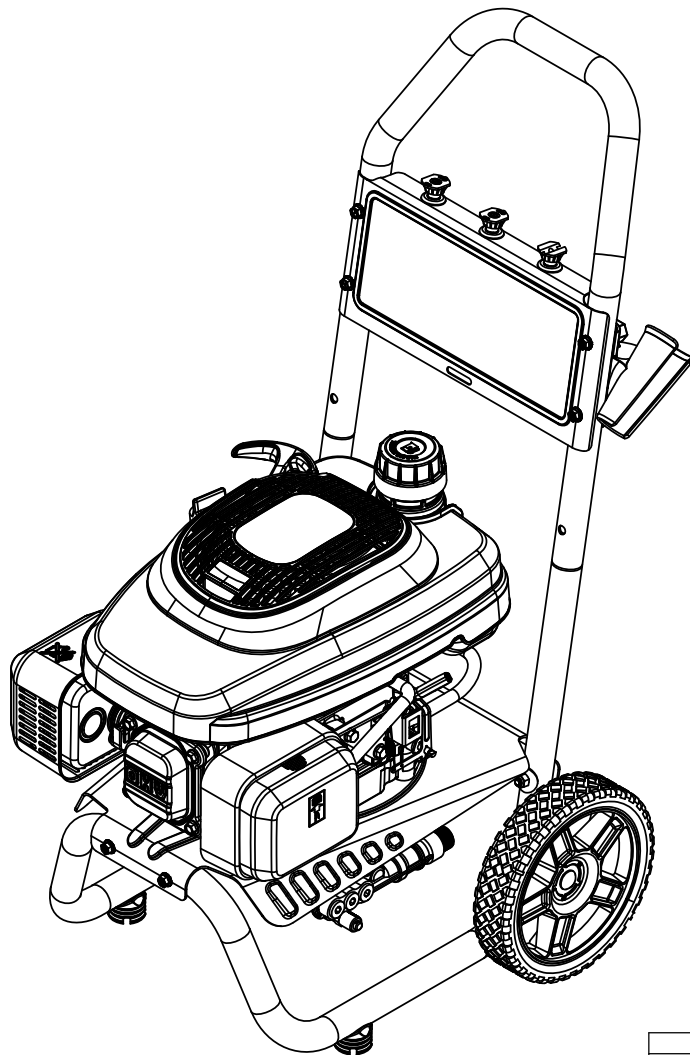
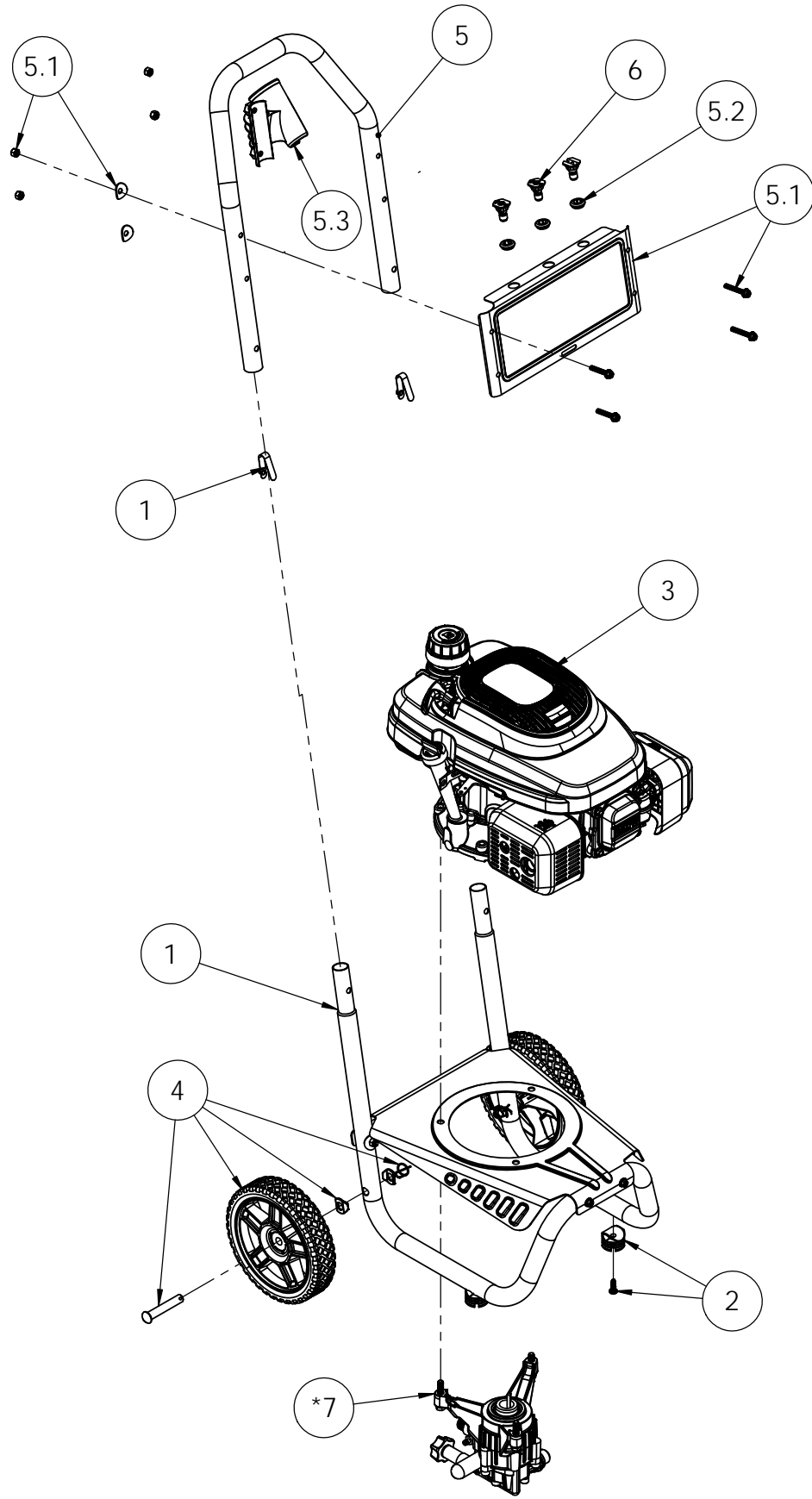


ITEM	PART NO	DESCRIPTION	QTY.
1	7111537	FRAME SERVICE KIT	1
2	7107030	KIT, FOOT SERVICE	1
2.1	7106841	FOOT, RUBBER 1.38" OD x 1.09"-5/16" INSERT	2
3	7111538	ENGINE SERVICE KIT	1
4	7107029	WHEEL KIT, PLASTIC 8" x 2"	1
5	7111571	HANDLE SVC KIT, CLEAN MACHINE 3024, 60973	1
5.1	7111539	DASHBOARD SVC KIT 3024, 60973	1
5.2	7106833	HOLDER, NOZZLE SINGLE	3
5.3	7105850	GUN HOLDER	1
6	7111256	NOZZLE, #2.8 BRASS 3PC 15, 25, &PSOAP	1
*7	90026	PUMP, SVC ASSY 510020	1
*NOT TO BE USED FOR WARRANTY REPAIRS			

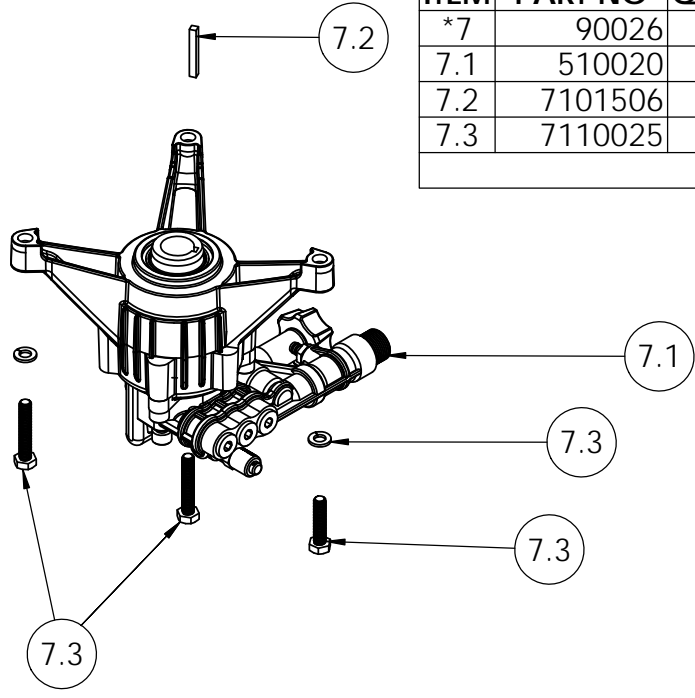


DRAWN		NAME	DATE	FNA-GROUP 7152 99th Street Pleasant Prairie, WI 53158	
CHECKED		CP	09/26/2018		
ENG APPR.				TITLE:	
MFG APPR.					
Q.A. APPR.					
SERVICE APPR.					
PROPRIETARY AND CONFIDENTIAL					
<small>THE INFORMATION CONTAINED IN THIS DRAWING IS THE SOLE PROPERTY OF FNA-GROUP. ANY REPRODUCTION IN PART OR AS A WHOLE WITHOUT THE WRITTEN PERMISSION OF FNA-GROUP IS PROHIBITED.</small>					
SIZE	DWG. NO.			REV.	
A	60973-SB			A	
SCALE: 1:6	ECN: EC180581			SHEET 1 OF 3	



SIZE A	DWG. NO. 60973-SB	REV. A
SCALE: N/A	ECN# EC180695	SHEET 2 OF 3

ITEM	PART NO	QTY.	DESCRIPTION
*7	90026	1	PUMP SERVICE ASSEMBLY
7.1	510020	1	PUMP
7.2	7101506	1	KEY, SHAFT 3/16 X 3/16 x 1-2/2
7.3	7110025	1	PUMP/ENGINE HARDWARE KIT
*NOT TO BE USED FOR WARRANTY REPAIRS			



ITEM	PART NO	QTY	DESCRIPTION
*11	7102045	1	TOOL NOZZLE CLEANING UNIVERSAL
12	7103550	1	LANCE, 16" W/1/4 QC AND M22 (M)
13	7102207	1	SOAP HOSE SERVICE KIT
14	7107956	1	GUN, OEM FRONT ENTRY, 3400 PSI
15	7105238	1	HOSE, 1/4" x 25' x 3200PSI BLK PVC M22

* NOT SHOWN

